

SUBJECT / PROJECT: ScanPartner 10C SPARE PARTS TABLE (CE) (ScanPartner P/N: 000-0043-0)		DOC. NO.: 011-1012-5		
		REV. NO.: B2		
		PAGE NO.: 1/3		
ITEM	PART NAME	AVISION PART NO.	QT UNIT	AFR (QTY/YEAR)
1	ADF COVER MODULE	003-0033-0	1	0.1
2	TOUCH SPRING UNIT	003-0006-0	1	0.2
3	CALIBRATION SHEET, (F/B 12x260mm)	061-0011-0	1	0.1
4	ADF SUBASSEMBLY	002-0001-0	1	0.2
5	PAPER OUTPUT CHUTE MODULE	003-0021-0	1	0.2
6	CALIBRATION SHEET, (ADF 7.8x225mm)	061-0012-0	1	0.2
7	UPPER HOUSING MODULE, ScanPartner 10C	003-0062-0	1	0.2
8	HINGE UNIT (LEFT)	003-0015-0	1	0.2
9	INPUT PAPER CHUTE MODULE	003-5077-0	1	0.2
10	DOCUMENT COVER MODULE	003-0014-0	1	0.2
11	HINGE UNIT (RIGHT)	003-0016-0	1	0.2
12	LAMP	060-0029-0	1	0.8
13	ADF CABLE	104-0001-0	1	0.2
14	HOME POSITION SENSOR CABLE	104-0004-0	1	0.2
15	DC POWER CABLE	104-0000-0	1	0.2
16	SHIPPING RETAINER	055-0001-0	1	0.1
17	HOME POSITION SENSOR (PCBA SB01)	004-0005-0	1	0.2
18	POWER SUPPLY MODULE	003-0001-0	1	0.2
19	POWER FUSE	127-0002-0	1	0.5
20	LED BOARD (PCBA LB01)	004-0007-0	1	0.2
21	LED CABLE	104-0003-0	1	0.2
22	MAIN BOARD ASSEMBLY, MB18-256K	002-0110-0	1	0.4
22-1	PCBA MB18-256K	004-0066-0	1	0.4
22-2	METAL COVER	054-0029-0	1	0.1
23	BOTTOM HOUSING (W/RUBBER STAND)	003-0022-0	1	0.1
24	POWER SWITCH / SOCKET UNIT	003-0020-0	1	0.2
25	COLOR FILTER ASSEMBLY	003-0029-0	1	0.2
26	TRANSMITTING BELT 453 MCL	057-0002-0	1	0.1
27	OPTICAL ASSEMBLY	002-0043-0	1	0.2
28	INVERTER AND LAMP HOLDER UNIT	003-0018-0	1	0.2
29	MOTOR MODULE, 300DPI	002-0002-0	1	0.1
30	IDLER PULLER MODULE	003-0019-0	1	0.1
A	CARTON, ScanPartner 10	073-0005-0	1	1.0
B	PACKING, ASSEMBLY (1SET)	003-0124-0	1	1.0
C	TERMINATOR (SCSI)	103-2528-0	1	0.2
D	AC POWER CORD, 10A/250V (UL/CSA)	104-0011-0	1	0.2
D-1	AC POWER CORD 10A/250V (VDE)	104-0012-0	1	0.2
D-2	AC POWER CORD, 10A/250V (BSI)	104-0013-0	1	0.2
D-3	AC POWER CORD, 10A/250V (SAA)	104-0022-0	1	0.2
E	SCSI CABLE 25P(M)/50P(M)	104-0031-0	1	0.1

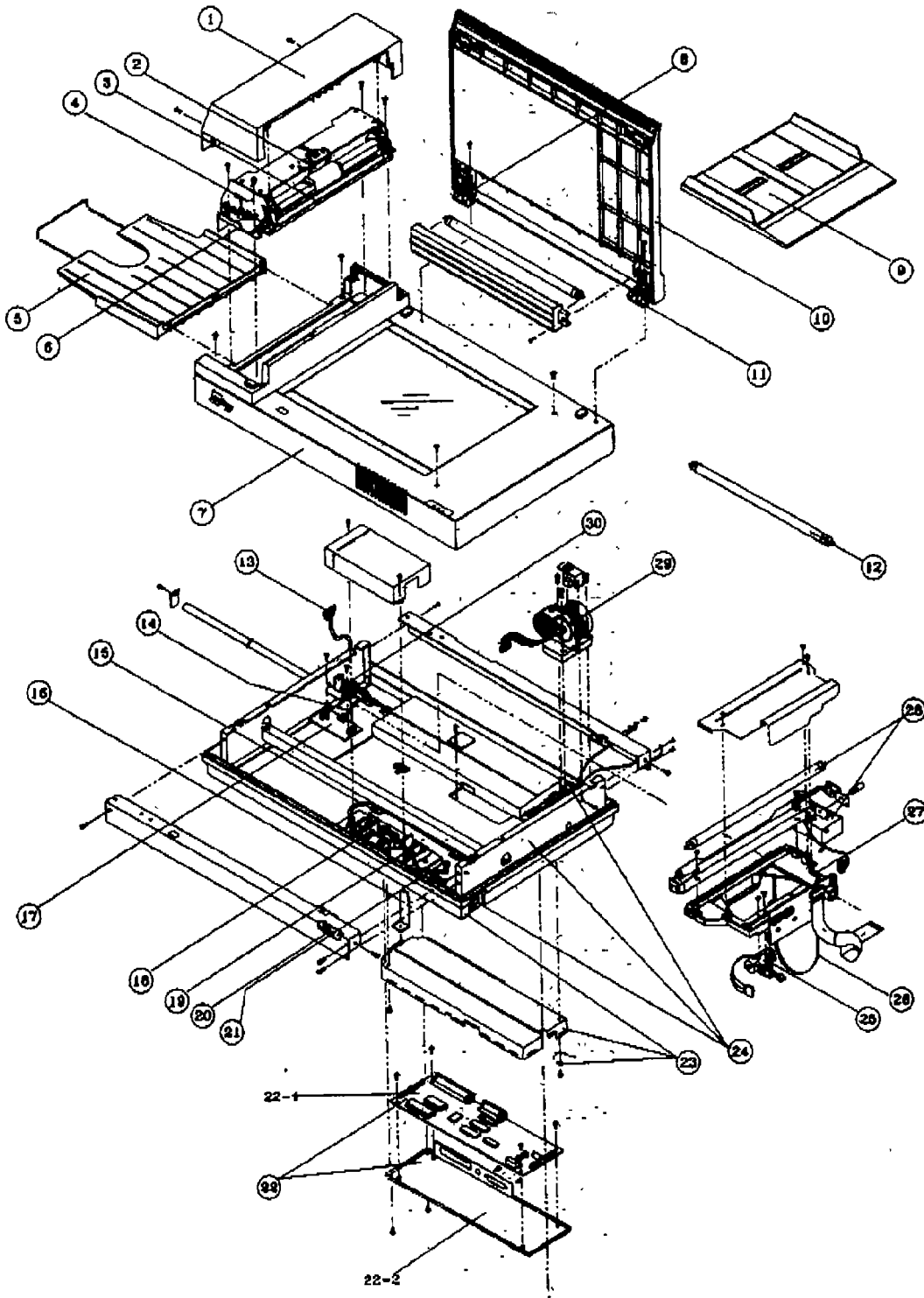
SUBJECT / PROJECT:

ScanPartner 10C
SPARE PARTS TABLE (CE)

DOC. NO.: 011-1012-5

REV. NO.: B1

PAGE NO.: 2/3



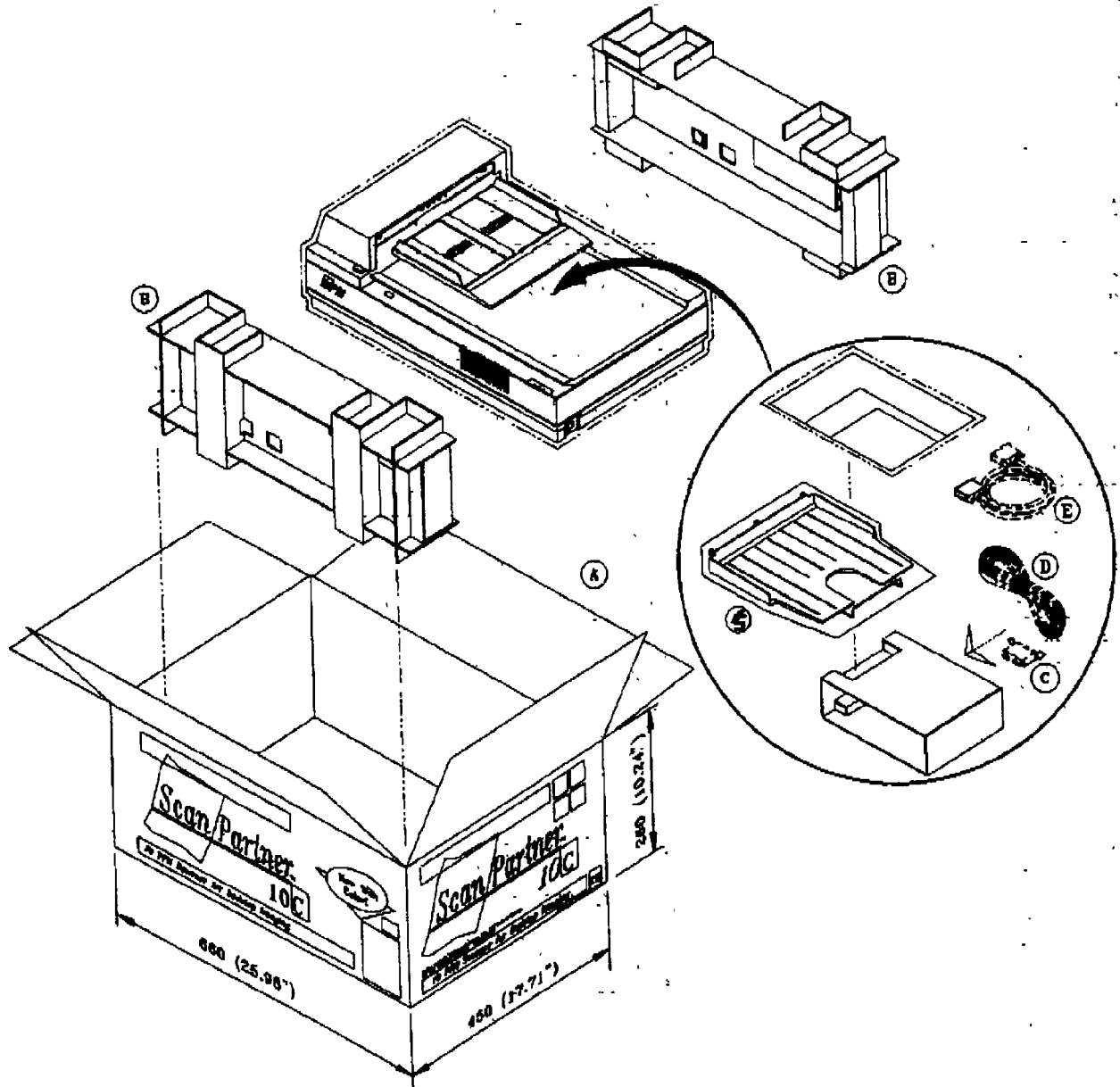
SUBJECT / PROJECT:

ScanPartner 10C
SPARE PARTS TABLE (CE)

DOC. NO.: 011-1012-5

REV. NO.: B1

PAGE NO.: 3/3



NOTES:

1. SCANNER LxWxH=567x345x166 MM
(22.32"x13.58"x6.54")
2. SCANNER N.W.: 11 KGS (24.3 lbs)
SCANNER G.W.: 15 KGS (33.1 lbs)